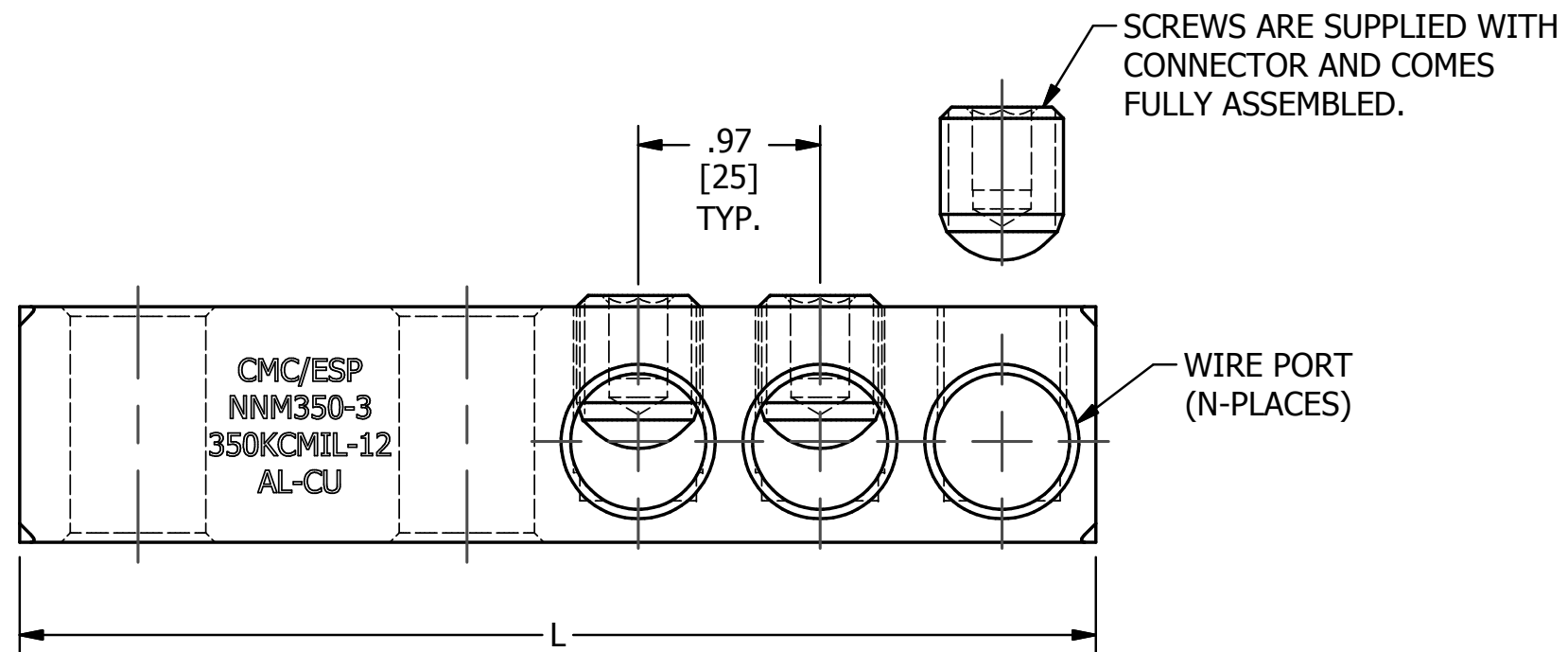
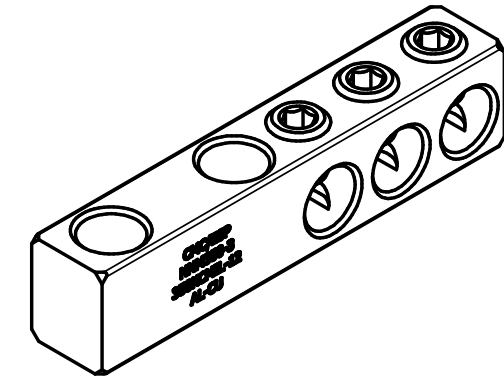
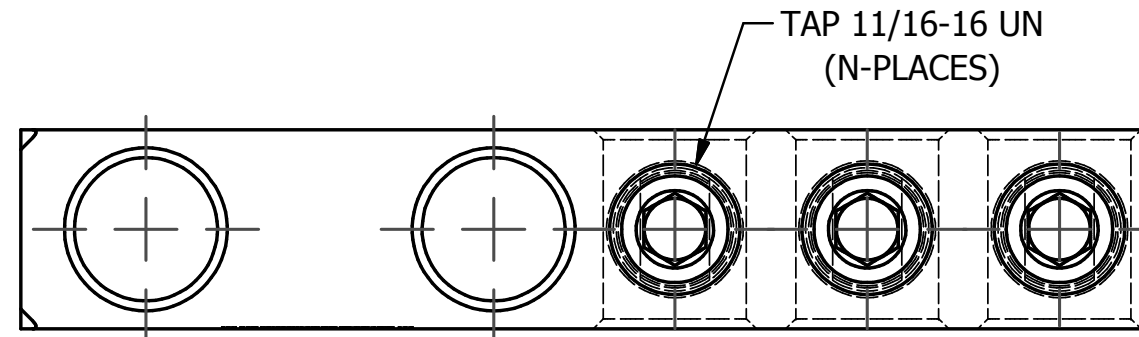


S.NO	CATALOG NUMBER	L	N
1	NNM350-3	5.73 [145]	3
2	NNM350-3I	5.73 [145]	3
3	NNM350-4	6.70 [170]	4
4	NNM350-4I	6.70 [170]	4
5	NNM350-6	8.36 [212]	6
6	NNM350-6I	8.36 [121]	6
7	NNM350-8	10.57 [268]	8
8	NNM350-8I	10.57 [268]	8



FINISH: CLEAR PLATE
MATERIAL: ALUMINUM

					TO ORDER CMC PRODUCTS CALL 1-513-860-4455	DRAWN BY: TS 09-25-19	NAME OF PART: NEMA MOUNT CONNECTOR ASSEMBLY	CAT. NO.: SEE TABLE
					FOR PRODUCT INFO: http://www.cmclugs.com	CHECKED BY:	DWG NO: C58701326-S (CHARTED)	A
A	NEW DRAWING CREATED		09-25-19	TS	DRAWING NOT TO SCALE		SHEET NO: 1 OF 1	
REV.	DESCRIPTION	ECN	DATE	INIT.				

THIS INFORMATION IS PROPRIETARY TO CONNECTOR MFG. CO. AND IS NOT TO BE DISCLOSED OUTSIDE OF CONNECTOR MFG. CO. WITHOUT A CONFIDENTIALITY AGREEMENT



CONNECTOR MANUFACTURING CO.

HAMILTON, OHIO